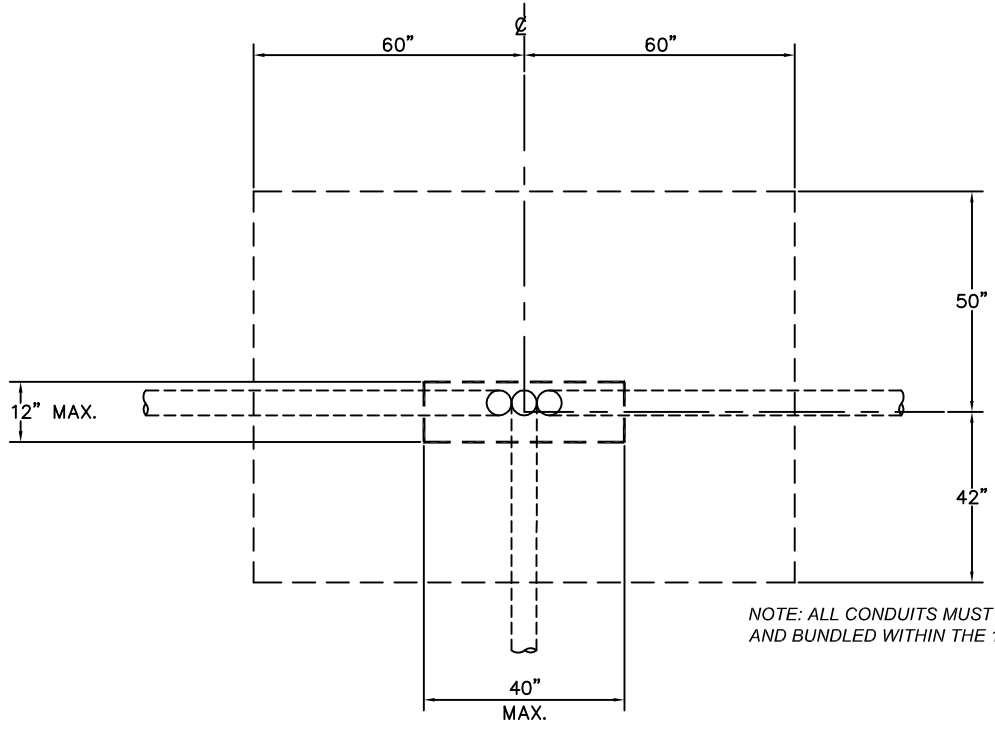


EXCAVATION WORK FOR 3-PHASE
FIBERGLASS SECTIONALIZING ENCLOSURE



FRONT OF ENCLOSURE
TYPICAL CONDUIT AND SWEEP PLACEMENT
AREA FOR SECTIONALIZING ENCLOSURE.
(8 BENDS MAX.)